

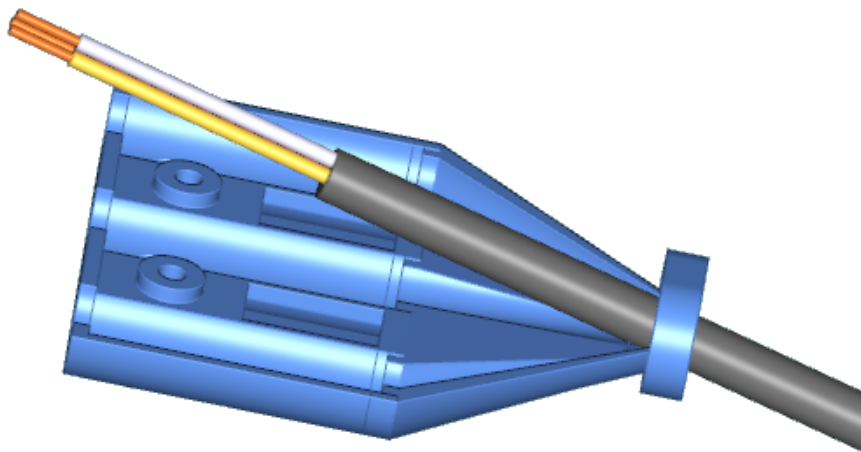
P018: controller banana adapter to Policar Power Base

This document details the necessary steps to assemble the P018 kit. You may also choose to do it yourself.

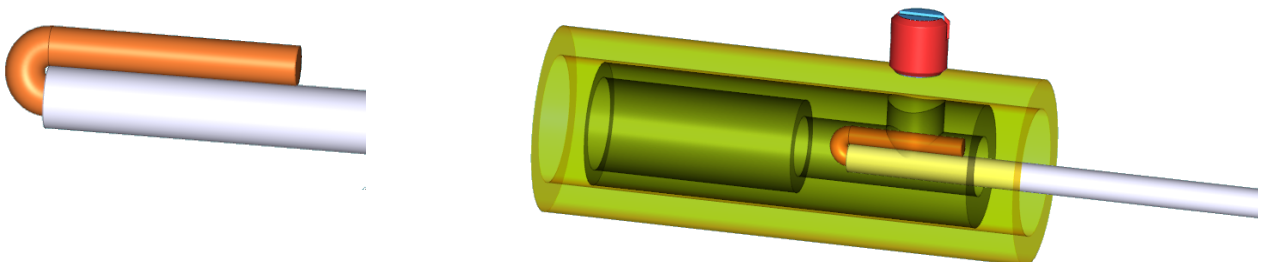
The P018 kit is composed of:

- three-wires cable (black, with red/yellow/white wires inside)
- three female banana plugs (red, yellow, black) with grub screw
- a 3D printed shell (two parts, A and B)
- two screws

Insert the cable inside the retainer of the shell side bearing the 'Policar' logo on the outer side:



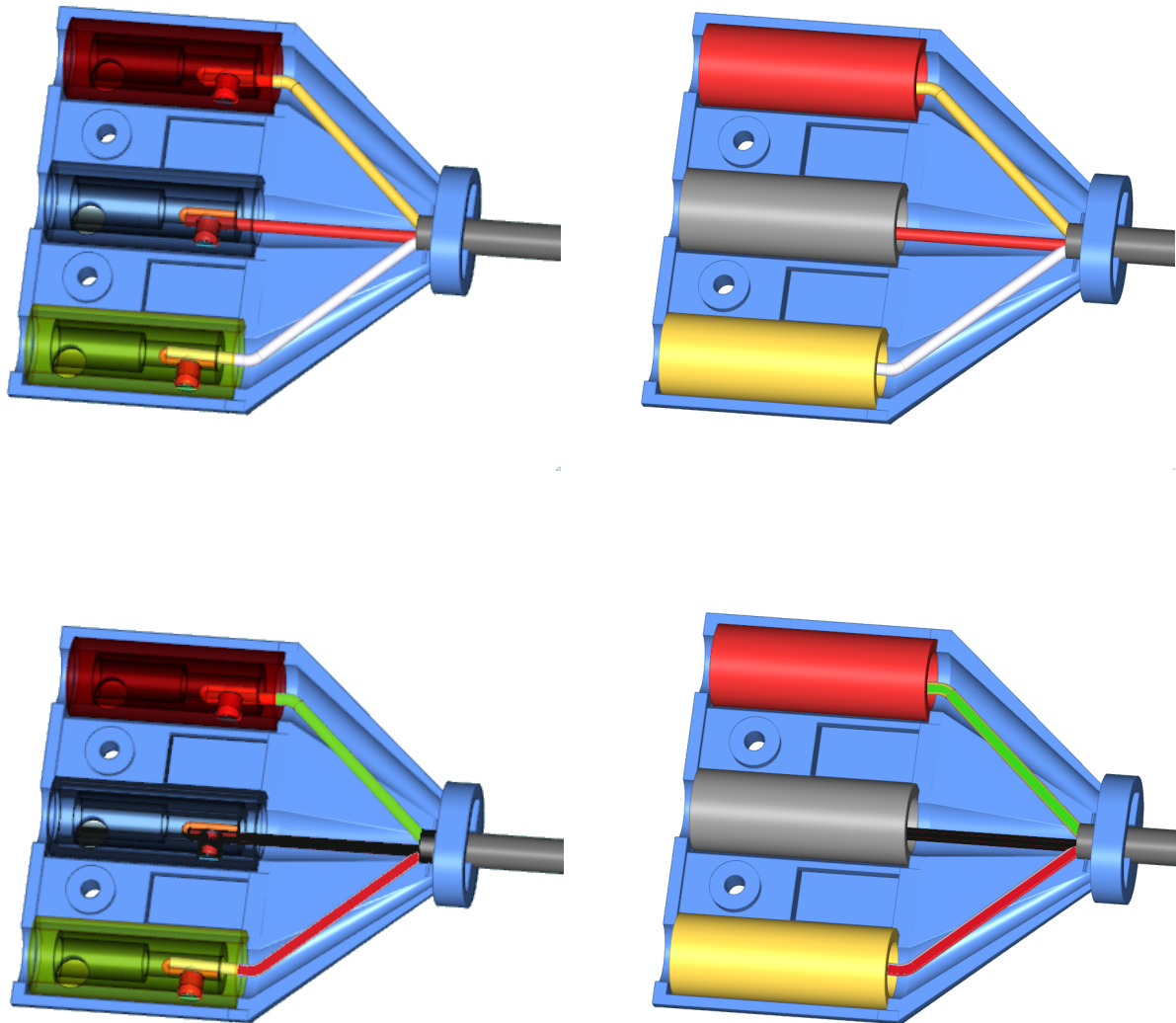
Fold the stripped copper core of each wire on itself and insert it into the banana plug



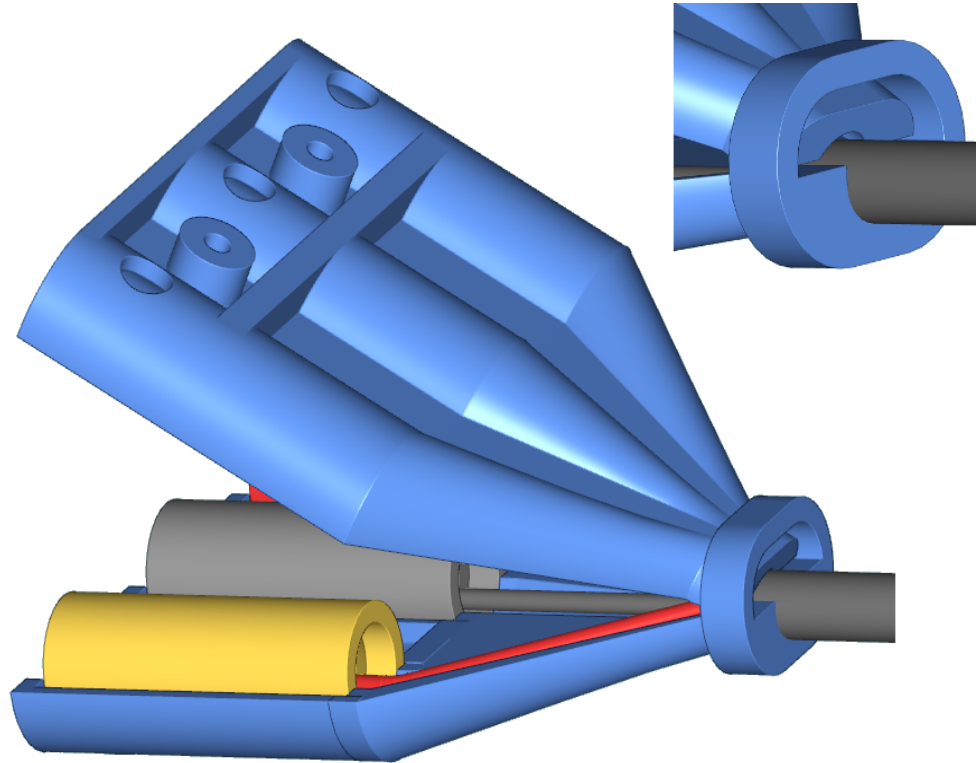
It is recommended to make sure that both the stripped cable, and the plastic wire itself, are pressed by the grub screw.

IMPORTANT NOTE: There are two possible colour combinations for the wires that run from the stereo jack to the female banana plugs: yellow/red/white or green/red/black: please refer to the pictures according to the colour of your cables.

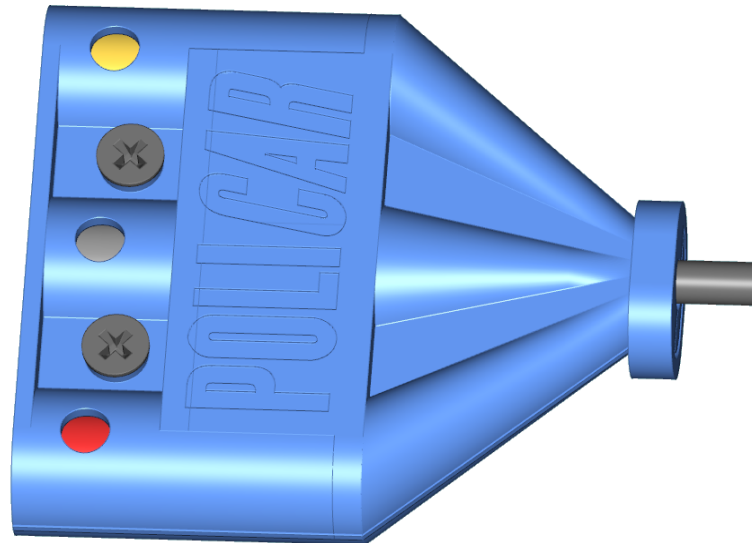
Repeat for all three wires and position appropriately:



Slide the other half of the shell under the retainer, and lock the two shells together.



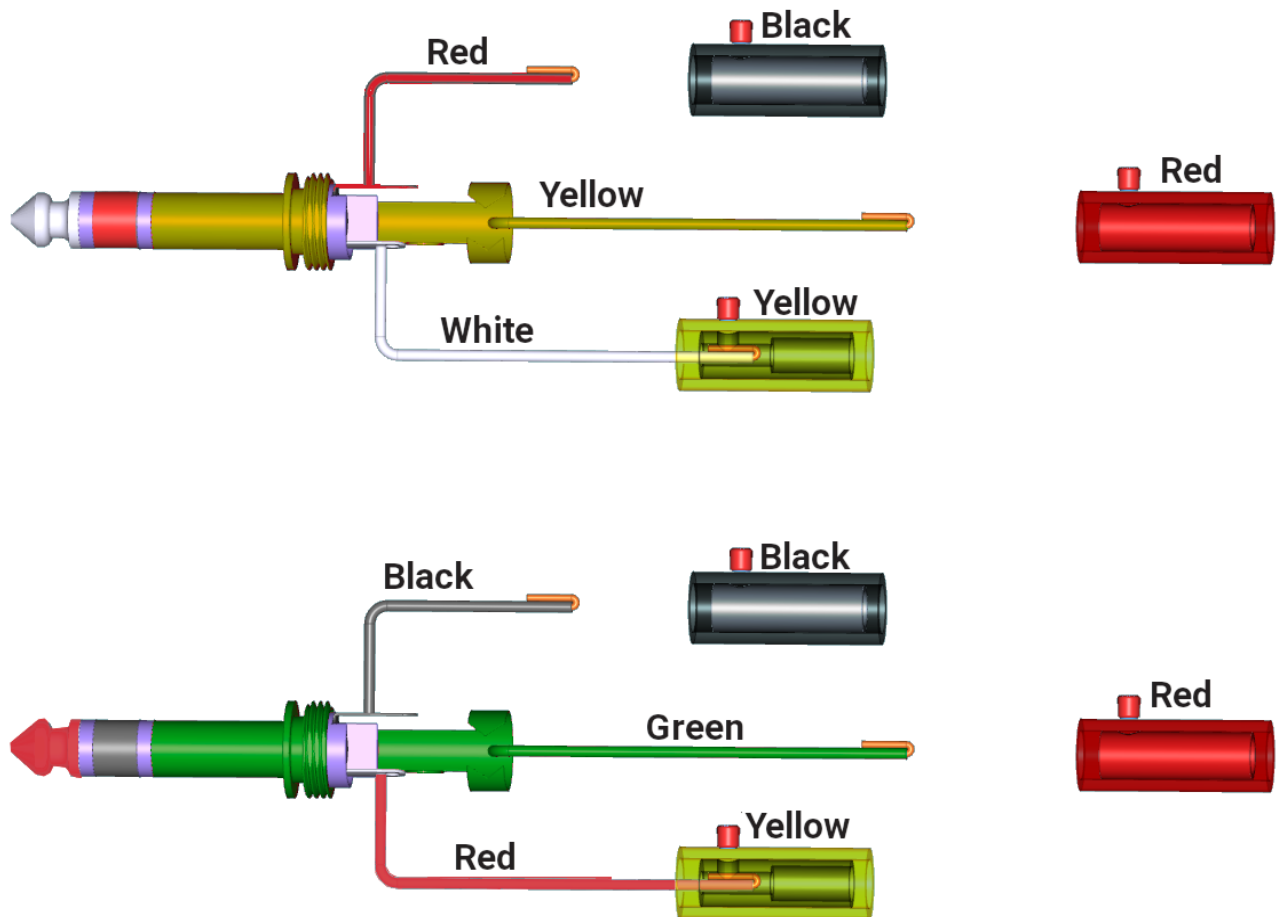
Lock together with the screws



Do it yourself: if you feel confident, the STL file for the shell is available from our web site, and this is how you should wire it up:

Sticking to 'Parma' colour codes:

- BLACK banana is MOTOR, and goes to the middle contact of the stereo jack. (Black cable and contact in the following picture).
- RED banana is BRAKE/GROUND, and goes to the side of the stereo jack where the thread is located which, in general, is the system's ground. (Green cable and contact in the following picture).
- YELLOW (or WHITE) banana is the power supply, which is attached to the tip of the jack. (RED cable and contact in the following picture).



Download the STL 3D file from
<http://slot.it/wp-content/uploads/2020/06/P018-200611.zip>