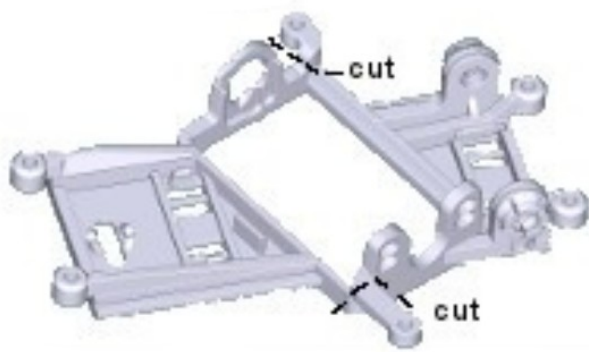




How to cut side screw posts to use in a EVO4 chassis

Anglewinder motor mount



Sidewinder motor mount

