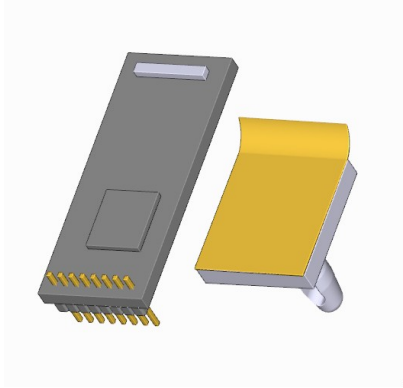


## **INSTALLATION OF THE POWER AMPLIFIED MODULE**

The SCP-3 provides space for an extra system-on-a-chip in the form of a single radio module with integrated power amplification. The module provides the extra power needed to reach very long distances, such as those encountered during indoor racing in rooms like gyms, auditoriums, and the like.

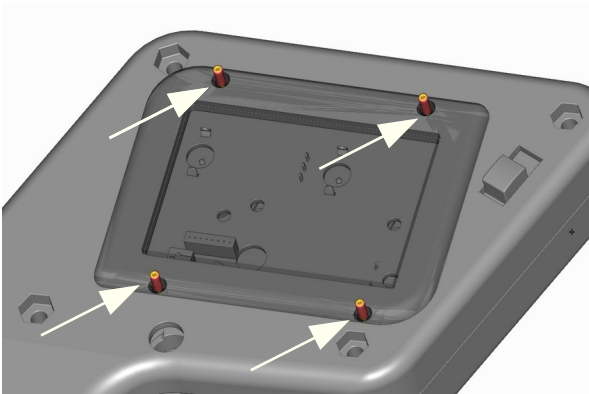
### **WHAT'S INSIDE**

Inside the packaging there is the module itself, and a plastic support with peel off sticker.

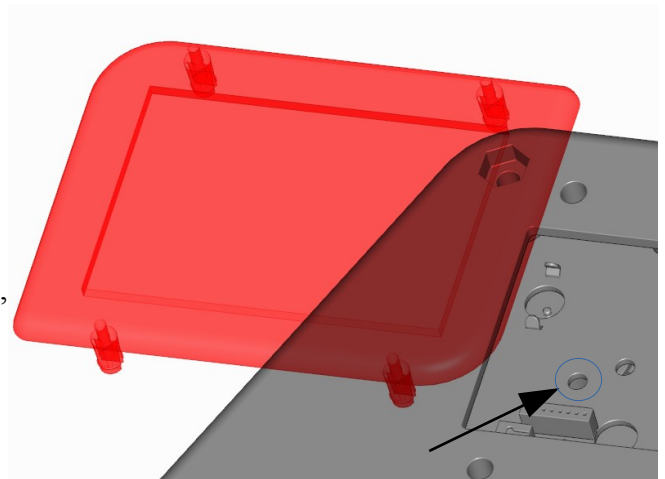


### **INSTALLATION**

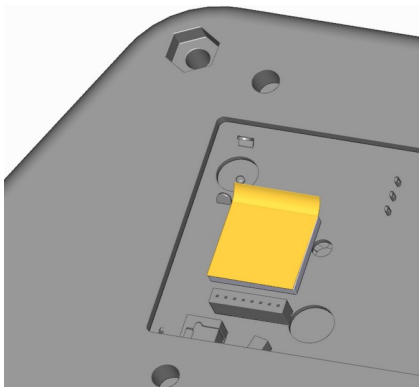
1 - With a Torx T3 wrench (Slot.it PA66 or equivalent), remove the four Torx mini grub screws that secure the red lid to the back of the controller, then remove the red lid to expose the inside PCB, as explained in the picture to the right.



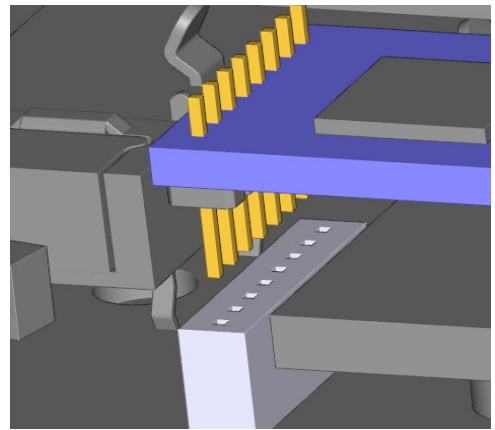
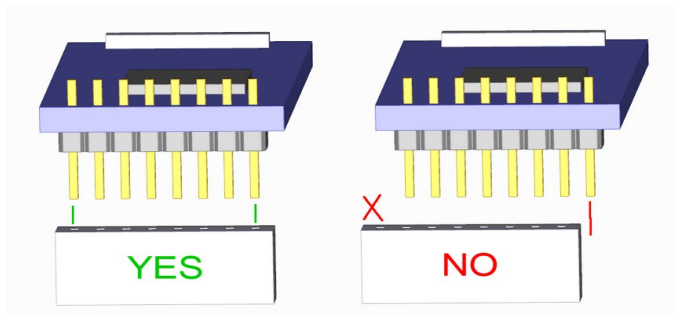
2 - The black arrow in the picture below indicates the hole where the power amplifier support must go:



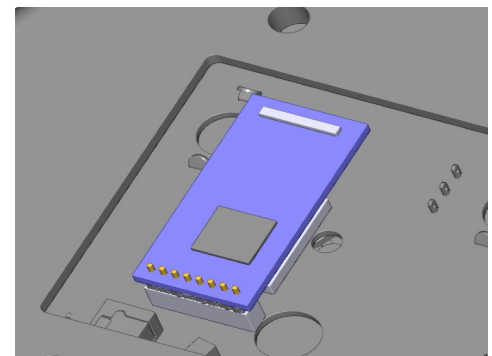
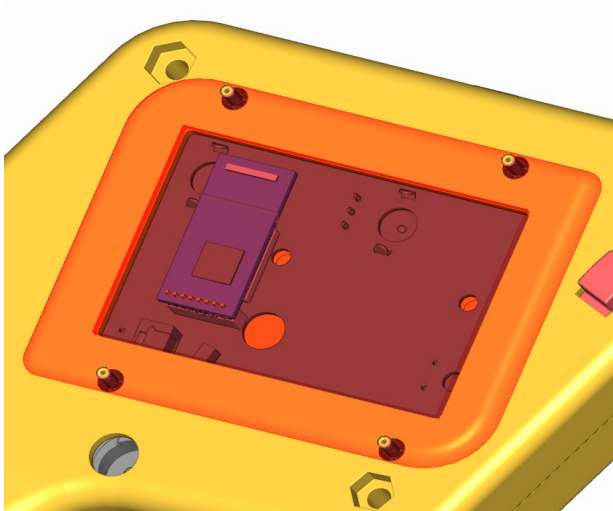
3 - When the support is fully inserted in the hole, it will click and stay there. Insert the support in the hole until it clicks! Now peel off the yellow sticker 'skin'.



4 - Now it's time to insert the module into place. The module is connected with eight pins that must match the eight holes on the female connector. Make sure that the male pins on the module are aligned to the 8 holes in the receptacle:



5 - Now you're done and it's time to put your SCP-3 together again:



### ACTIVATION

6 - the next step is to ACTIVATE the SCP-3 module's firmware.

We assume at this point, because you already have the SCP-3 and have activated it following the instructions that came with it, that you're familiar with the Slot.it APP and the activation procedure. The Power Module is not any different: A summary of the necessary operations is herein:

Switch on the SCP3 with BOTH ARROWS pressed. On display, a fixed message shows

**APP - SELEct hAndLE or PA CHIP -**

(or **AP** only, if you have the very early version of the firmware). This means that the SCP3 is ready to connect to the APP or switch control to the Power Amplifier (PA). To connect to the module, press the UP ARROW. Display shows

**PA CHIP**

Confirm pressing the round 'brake' button. The message shows (fixed)

**PA**

Now the PA module can be reached with the APP and activated.

**THE COMPLETE MANUAL IS AVAILABLE FROM THE 'oXigen' SECTION OF THE WWW.SLOT.IT SITE**